

Bridge LR 12 VDC

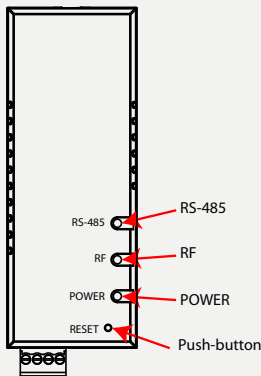
| Converters

Key features

- ✓ Convert any Modbus RTU device into wireless
- ✓ Long-range wireless communication 100% transparent
- ✓ Up to 1 km of indoor coverage and 20 km of outdoor coverage
- ✓ Point-to-point or multipoint networks

Description

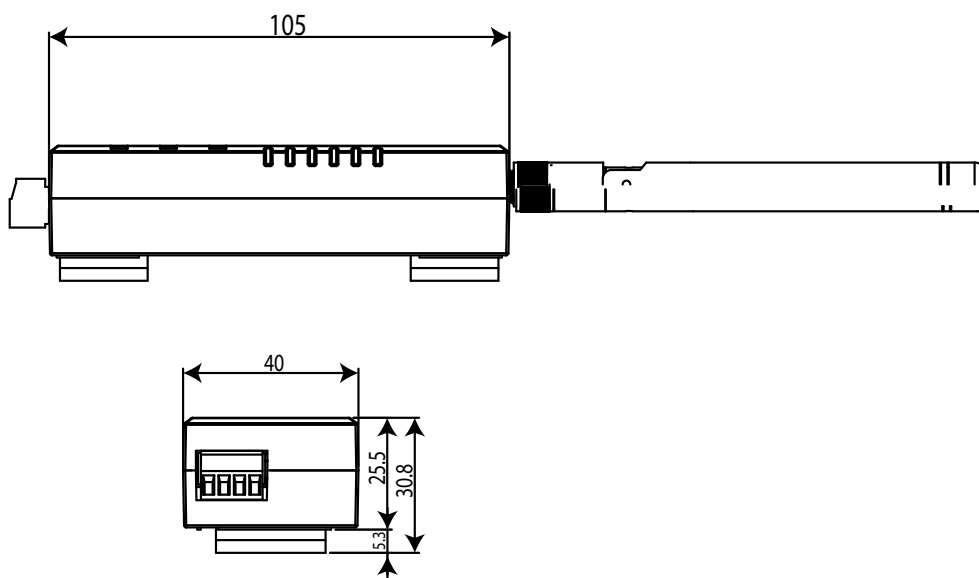
Bridge LR is a bridge that converts RS-485 physical environment to wireless long range network LoRa™. Easy installation thanks to a completely transparent communication between master and slaves. Capacity for reading sensors up to 1 km away in indoor areas and 20 km outdoors.



Leds

N° led	Name	Description
ON	Power supply	Activity: Fixed green
RF	Radiofrequency	Data transmission: Red slow blinking Data reception: Green rapid blinking Silence / waiting time: Fixed blue (Master only)
COM	RS-485	Data transmission: Red rapid blinking Data reception: Green rapid blinking

Dimensions



Technical characteristics

Category	Parameter	Value
Power circuit	Input voltage	12 Vdc \pm 10%
	Maximum consumption	1 W
Environmental characteristics	Temperature range	-10 ... 60 °C
	Humidity range	5 ... 95 %
Mechanical characteristics	Enclosure material	Plastic UL94 – V0 Self-extinguishing
	Protection grade	IP 30
	Unit dimensions (Width x Height x Length)	105 x 42 x 23 mm
	Weight	70 g
	Mounting	Wall mounting
	Connectors	Plug-in terminals. Maximum cable section 1.5 mm ²
	Maximum working altitude	2000 m
Serial interface	Type	RS-485 two wires
	Baud rate	9600 / 19200 / 38400 / 57600 / 115200 bps configurable
	Data bits	8
	Parity	Without parity / Even configurable
	Stop bits	1 / 2 configurable
Radio interface	Protocol	LoRa™ for private networks
	Frequency	868 MHz
Characteristics and electrical security	Security	CAT III 300 V under EN 61010
	Electric shock protection	Double insulation class II
Standards	Standard	UNE EN 61010-1:2010, UNE-EN 61000-6-2, UNE-EN 61000-6-4